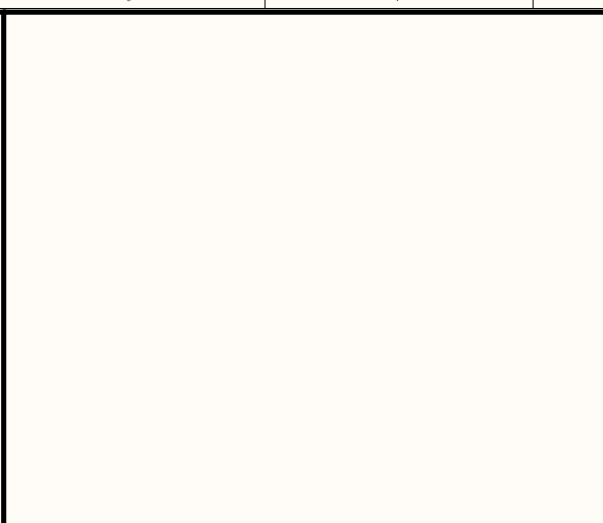
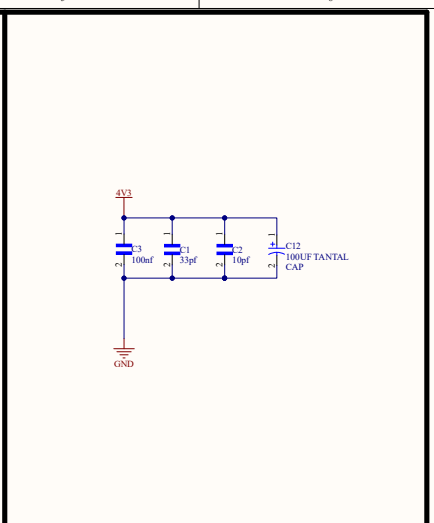


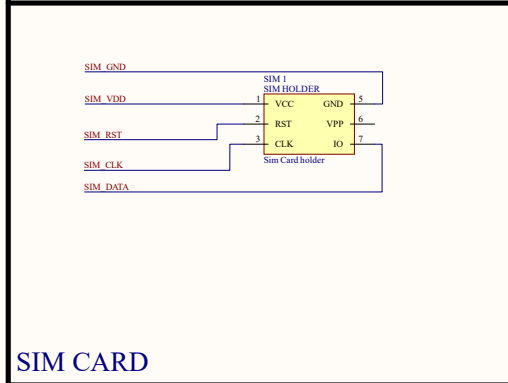
MCU



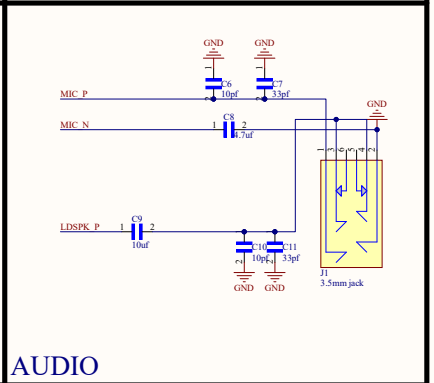
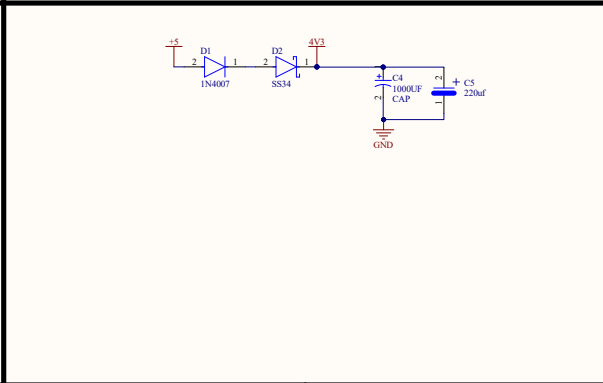
POWER



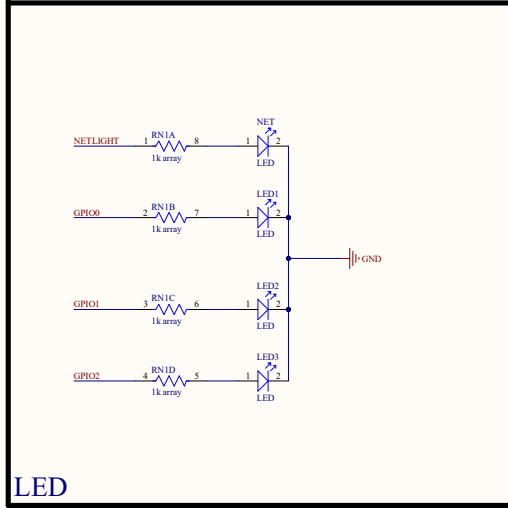
Next to the MC60 VBAT pins



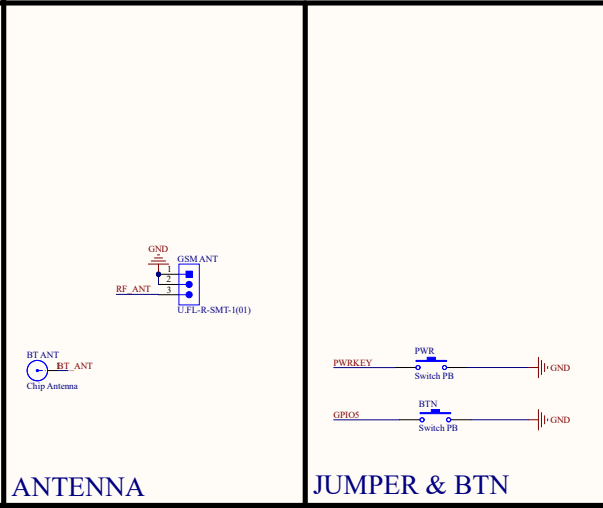
SIM CARD



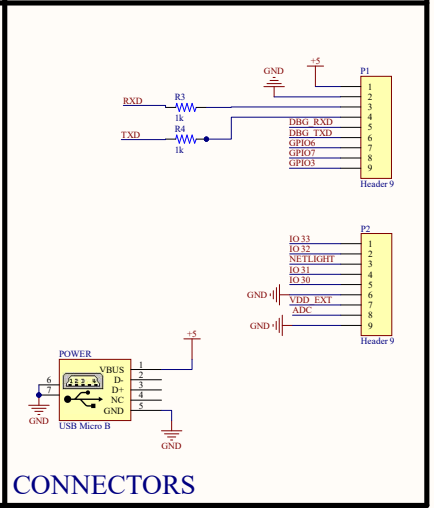
AUDIO



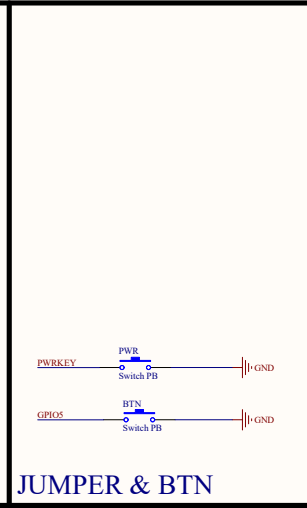
LED



ANTENNA



CONNECTORS



JUMPER & BTN

Title		
Size	Number	Revision
A		
Date:	1/30/2022	Sheet of
File:	D:\mahdi\DB_M66_SchDoc	1 Drawn By: